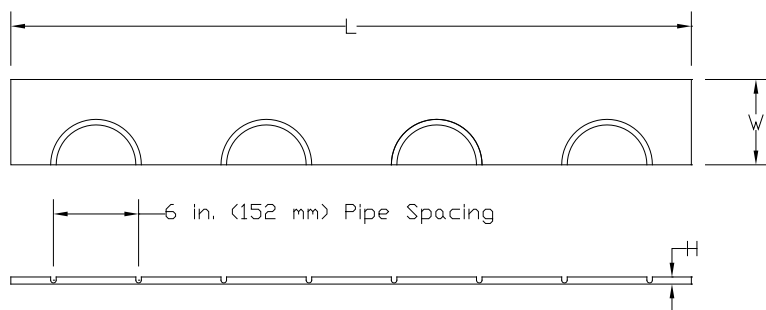


PRODUCT SUBMITTAL 751

Product: **RAUBOARD™ Return Groove Panel, Radiant Heating Systems**

Date: **24 July 2014 (supersedes 19 August 2013)**



Article No.	Length L in (m)	Width W in (m)	Height H in (mm)	Floor Coverage ft ² (m ²)	Unit Weight lb (kg)
298396-001 (return groove)	48 (1.2)	6 (0.15)	0.5 (12.5)	2 (0.165)	2.4 (1.1)

TECHNICAL DESCRIPTION

Material	Construction-grade plywood
----------	----------------------------

FUNCTIONAL DESCRIPTION

RAUBOARD heat transfer panels are designed for radiant heating systems for new construction and retrofit installations. These heat transfer panels are used in radiant floor, wall and ceiling heating to efficiently and evenly distribute the heat from REHAU RAUPEX® pipe into the room. Panels are installed between the subfloor and the finished floor. Walls and ceilings may be used to increase the heat output of a room; panels are installed between the joists and the wall or ceiling covering in these applications. Panels are screwed to the subfloor or wall/ceiling joists, a small bead of silicone is applied to the groove and then the 10.1 mm RAUPEX pipe snaps into the groove. RAUBOARD panels are 1/2 in (12.5 mm) thick and pipe spacing is 6 in (152 mm) on-center. Radiant floor heating systems are quieter than many other heating systems, but no one can ever guarantee that a heated floor will be noise free. By following proper installation practices and observing all manufacturers' recommendations, noise during heating system operation can be minimized. For additional precautions refer to REHAU *Technical Bulletin 257, Minimizing Noise in Heated Panel and Plate Systems*.

For updates to this publication, visit na.rehau.com/resourcecenter

The information contained herein is believed to be reliable, but no representations, guarantees or warranties of any kind are made as to its accuracy, suitability for particular applications or the results to be obtained therefrom. Before using, the user will determine suitability of the information for user's intended use and shall assume all risk and liability in connection therewith.

© 2014 REHAU

MATERIAL PLANNING

For quick estimating purposes, the following guidelines may be of use for a typical room layout. This material estimating information is not intended to be used for any particular project, nor as a final drawing requirement or specification, and is only provided as an aid for quick quotation purposes. REHAU LoopCAD® radiant design software is recommended for calculating material lists for any particular project.

	Heated Area ft ²		Material Estimating Factor		Estimated Material Requirements
Art. 298396-001 return groove	_____	x	0.07	=	_____ pieces
